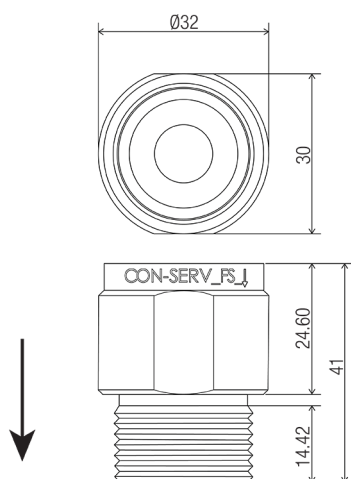


DIMENSIONS



INDICATIVE IMAGE



FLOOD STOP VALVE

Product Code - Finish

- FS 038 C - Chrome

Features

- 3/4" F & M DR brass
- Prevents the uncontrolled water flow from burst pressure hoses used for water supply to domestic dish washing machines and front load washing machines
- The safety valve will close and shut off the water when the flow is greater than 17 L/min
- In the case of leaking hoses or a flow rate below 17 L/min the valve will not close
- Minimum operating pressure 200 kPa static
- Maximum operating pressure 500 kPa static
- Chrome

Compliance

- Watermark ATS 5200.479 WMK 25895

Warranty

See Con-Serv warranty policy for full details.

CON-SERV CORPORATION AUSTRALIA PTY. LTD.

17 Glentanna Street, Kedron · Qld. 4031 Australia

Phone: +61 (0)7 3630 5744 · Fax: +61 (0)7 3630 5755 · Email: mail@con-serv.com.au · www.con-serv.com.au